



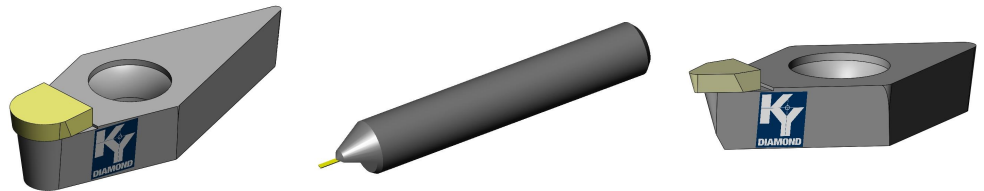
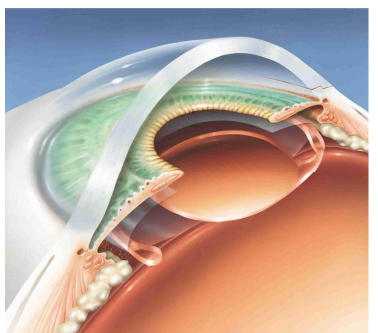
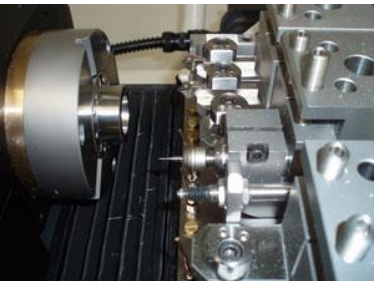
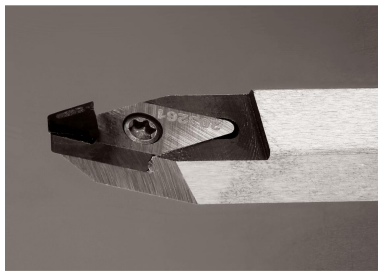
K&Y Diamond, Precision Tooling

CONTACT LENS & INTRAOCULAR LENS APPLICATIONS

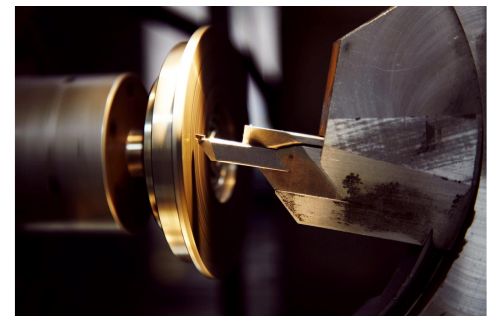
Mono-crystalline diamond tooling used in conjunction with ultra-precision, CNC machine tools are used to direct lathe specialty materials for contact lenses and intraocular lenses and/or mold inserts.

Direct Lathe Lens Materials: RGP, Hydrophobic, Hydrophilic
 Mold Materials: NiP (>10% P), CuNi, Al, CuZn, CuSn

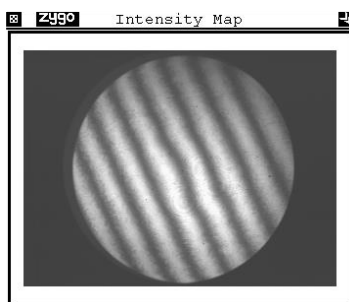
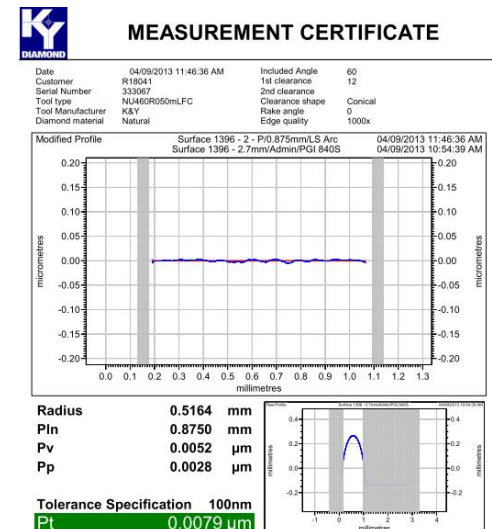
K&Y Diamond manufactures insert type tools and shank type tools to fit standard tool holders for all ophthalmic machine tool manufacturers including: DAC International, Nanotech, Precitech/Optiform, Precitech/Nanoform, CityCrown



K&Y Diamond's state of the art manufacturing and metrology techniques provide unique capabilities for shaping diamond into complex shapes with unsurpassed accuracy.



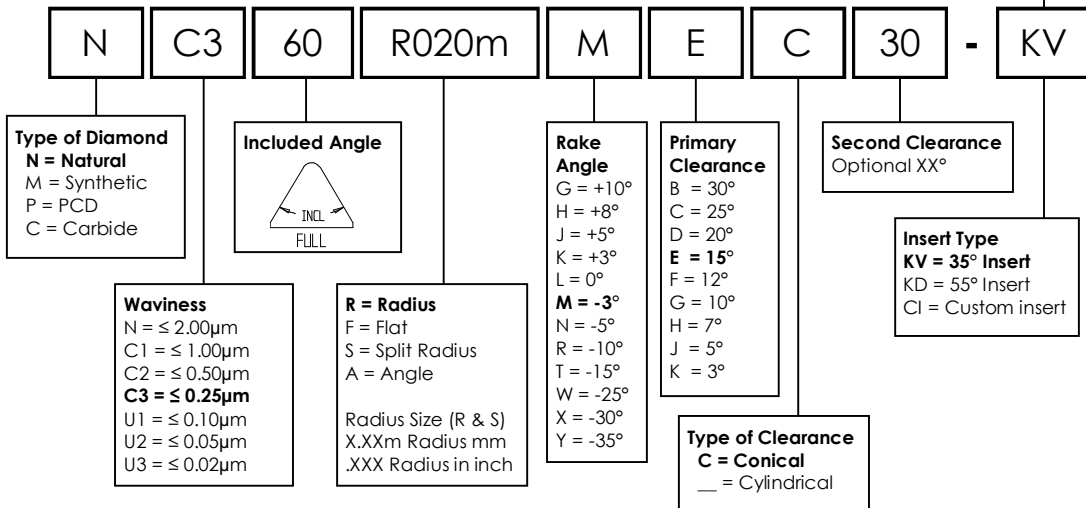
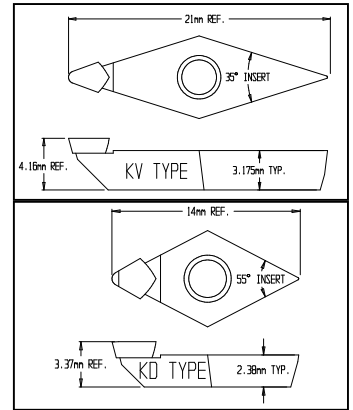
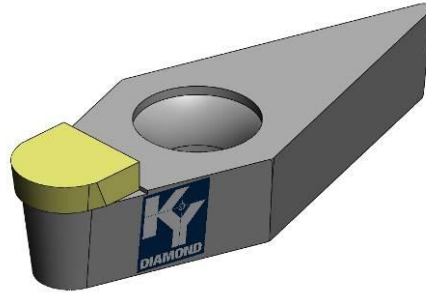
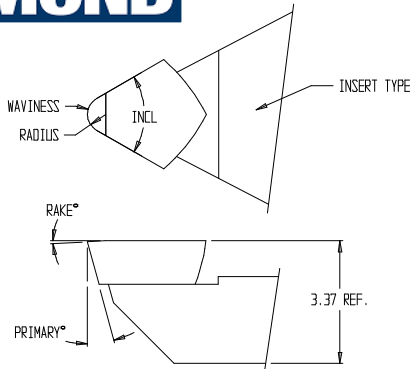
| Feature | K&Y Capability |
|----------------------|---|
| Radius | 0.001 mm to 600.0mm |
| Waviness | <20nm P/V over 120° |
| Rake | -35° - + 10°, ±0.5° |
| Front Clearance | 3° - 30°, Cylindrical or Conical |
| Cutting profile | Full Radius, Split Radius, V-Tool, Flat, Elliptical, Custom Facet |
| Included angle/Sweep | 10° Smallest included angle 180° maximum sweep |
| Shank Material | Insert Type, Carbide, Steel |





K&Y Diamond Ordering Information

CONTACT LENS & INTRAOCULAR LENS APPLICATIONS



K&Y Diamond has a wide variety of shank sizes and angular offsets for insert holders.

For more information, please email: sales@kydiamond.ca



Diamond End-mills for Ophthalmic applications: Haptic Milling or Marking



K&Y Diamond Re-Lap and Re-Cone Service

K&Y Diamond has internal capacity to re-lap over 400 tools per day. All tools sent to K&Y Diamond for repair undergo incoming inspection for excessive wear or damage. Customer's are notified if a tool requires a re-cone or repair prior to service. Re-lapped tools are turned around in one day. Re-coned tools are turned around in 1-2 weeks. K&Y Diamond will repair tools from any manufacturer.

Send all diamond tool repairs to:

USA Customers
 K&Y Diamond
 Trimex Building
 2330 Champlain St.
 Mooers, NY 12958
 T: 514.333.5606

Canada & International
 K&Y Diamond
 2645 Diab
 St-Laurent, Quebec, H4S 1E7
 CANADA
 T: 514.333.5606